

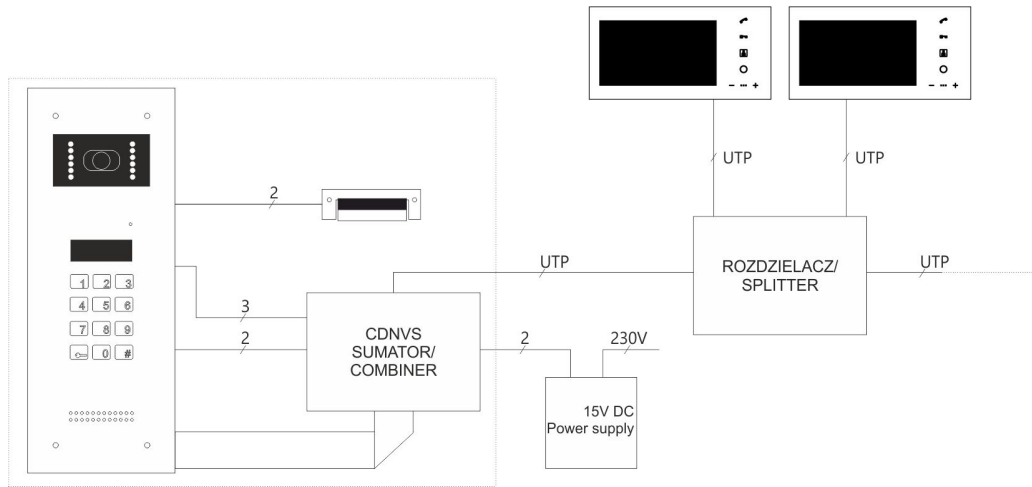


CDNVS Video combiner

The combiner starts the bus of a digital video system. It connects the power supply to the panel and provides power to the bus. In selected models of devices it is possible to mount directly in a frame or box. Compatible with digital master panels with a group camera module: CDN, Inspiro and Familio P with an external camera.

Index	CDNVS
Description	Combiner starting the digital video system bus
Material	ABS plastic housing
Dimensions (mm)	70,5x71x19,5
Installation type	Digital: twisted-pair cat. 5e or 6
Power supply	15V DC / 35mA
Stand-by power consumption	~0,5W
Outputs	1 x RJ45 socket (video bus output) 1 x EXTMOD connector (control panel/panel connection)
Inputs	ARK screw connections: - connection of audio lines from the control panel/panel - connection of the camera built into the panel or CDNVK module (75Ω/1Vp-p, 12V power supply) - power connection
Attributes	- converts the PAL analog signal from the camera to a differential (digital) signal - used in the CDNP series control panels with CDNVK module - starts the video system bus - used in Inspiro panels - used in Familio P panels with an external camera - introduces the following into the system bus: power supply, differential video signal and audio line

Schema



Dimensions

