

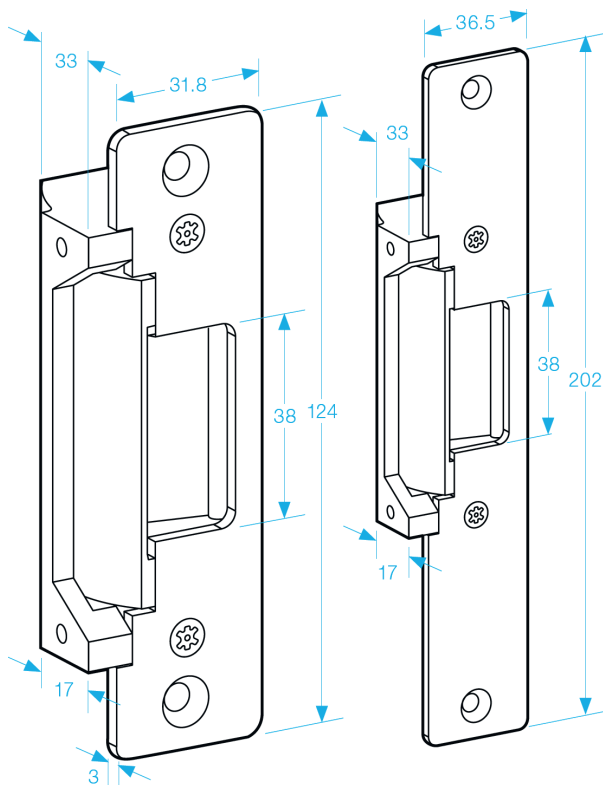
EDL/U

Electric Door Lock, Strike Release

12 or 24V DC, Suitable for Wooden Door Frames,
Opening Inwards

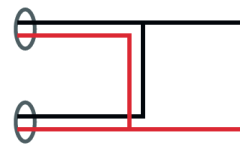
Features:

- 12 or 24V DC operation
- Fail-Safe / Fail-Secure (selectable)
- Suitable for installation on wooden frame doors, opening inwards
- Supplied with long and short face plates



Voltage Selection:

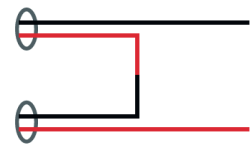
For the 12 Vdc operation, the electric strikes have to connect in **Parallel**.



12 Vdc

(Power input is polarity free)

For the 24 Vdc operation, the electric strikes have to connect in **Series**.

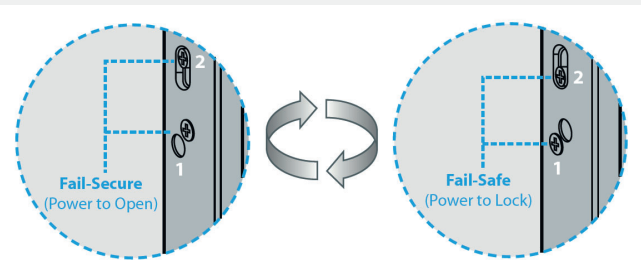


24 Vdc

(Power input is polarity free)

Flexible Solutions:

The EDL/U electric strike can easily change between Fail-Safe and Fail-Secure modes. This unique design enables distributors to reduce inventory and still meet varying needs and requirements of end users



EDL/U Continued...

TECHNICAL DATA	EDL/U
Voltage tolerance	±20%
Current draw	0.25A at 12V DC, 0.15A at 24V DC (at temperature 20°C)
Operating temperature	-10~45°C (14 to 131°F)
Locks surface temperature	Current temperature ±20% (when power is on)
Humidity	0~95% non-condensing
Tested	To 1,000,000 cycles
Jaw strength pull testing	2000lbs