

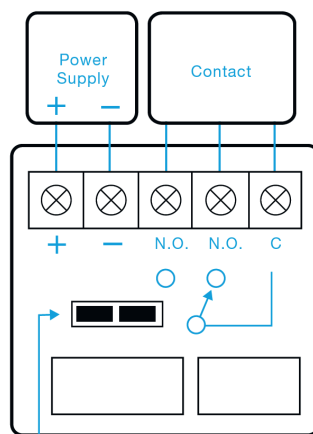
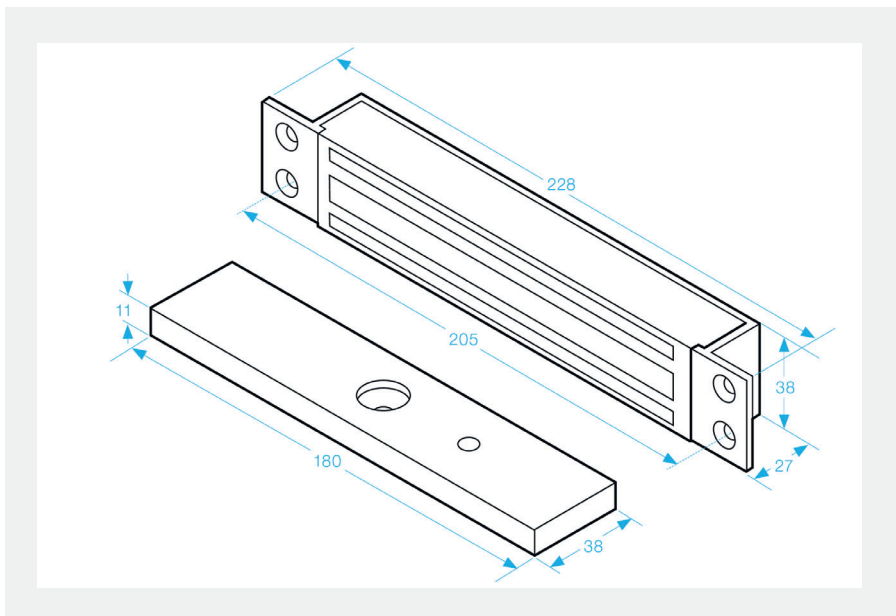
MMLK/F

Mini Mortice Maglock, Unmonitored



Features:

- Operating voltage 12-24V DC (Selectable)
- Holding force up to 600lbs (272kg)
- Aluminium housing
- Electroless nickel plated armature
- Mortice mounting



CAUTION
Before power on the unit,
set input Voltage Selector
according to the supply voltage.

12Vdc
 24Vdc

CONTACT ONLY ON MMLK/FM -
Mini Mortice Maglock, Monitored

TECHNICAL DATA

	MMLK/F
Voltage tolerance	±10%
Current draw	480mA at 12V DC, 240mA at 24V DC (at temperature 20°C)
Operating temperature	-10~55°C (14 to 131°F)
Locks surface temperature	Current temperature ±20% (when power is on)
Humidity	0~95% non-condensing
Finish	Aluminium housing, nickel plated armature
Weight	2.0kg (approx)
Magnetic bond sensor monitor output remotely monitors the door lock or unlock status	N.C Output-Door opened; N.O Output-door closed
SPDT rated	0.25A at 12V DC