

VEGA

Twilight Switch


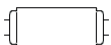

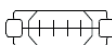

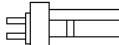

Ideal for shop windows lighting, entrance gates, illuminated signs, etc...

Features:

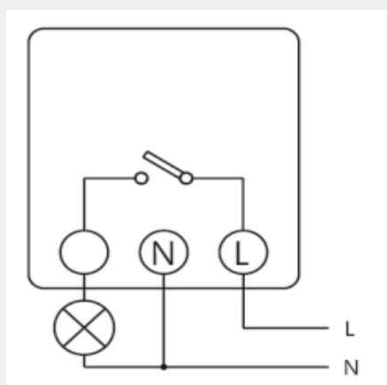
- Surface photocell with exterior regulation
- Higher degree IP54 protection which allows it to work in extreme conditions
- Activation delay to avoid unwanted switch-on or switch-off due to vehicle headlights, clouds or other factors
- LED operation light
- Mounting: wall surface
- 230V AC, 50Hz



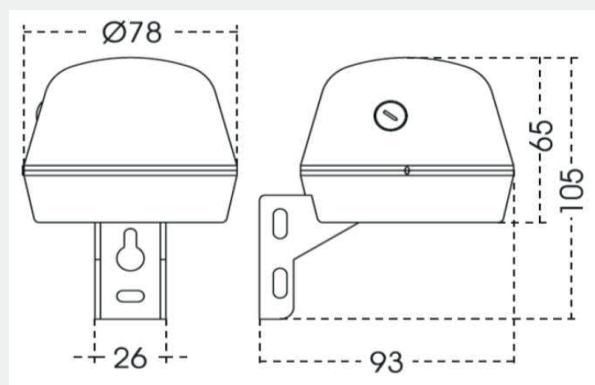
Maximum Recommended Load:

Incandescents	Fluorescent	Low voltage halogen (12 V AC)	Halogen (230 V AC)	Low consumption lamps	Downlights	LED
						
2000 W	100 VA	1000 VA	100 VA	100 VA	100 VA	50 VA

Wiring Diagram:



Dimensions:



VEGA Continued...

TECHNICAL DATA	VEGA
Power supply	230 V ac \pm 10 %
Nominal frequency	50 Hz
Stand-by consumption (50 Hz)	8 VA (1 W)
Switching capacity	μ 10 A / 230 V \sim cos ϕ = 1
Zero-cross switching	No
Number of circuits	1
Sensor type	Cadmium Sulphurate
Adjustable parameters	Brightness range
Brightness range	5 lux to 300 lux (log)
Delay ON and off time	60 s aprox.
Protection class	Class II in correct mounting conditions
Degree of protection	IP54 according to EN 60529
Method of mounting control	Wall (surface), On lamppost
Connection	screw terminals
Wire cross section	1x1 mm ² to 2x2.5 mm ²
Operating temperature	-30 °C to 50 °C
Transportation and storage temperature	-35 °C to 60 °C
Net weight	130 g